

# BrightLux

LED & SOLAR

2023 CATALOGUE

Outdoor



**KASSEL Ventures Phils., Inc.**

Unit 519 5th Floor, CityLand Shaw Tower  
Shaw Blvd., corner St. Francis Street  
Mandaluyong City 1552 Philippines

Tel. Nos.: +632-8633-6610; +632-8470-6669  
Mobile: +63-917-582-2330; +63-939-917-1323  
Email: sales@brightluxled.com.ph  
brightluxledsales@gmail.com  
Website: www.brightlux-led.co

### LED Floodlights



Pages 3/4/5

### LED Explosion Proof Lights



Page6

### LED High Mast Floodlights



Pages 7/8/9

### LED Stree Lights



Pages 10/11/12/13

### LED SOLAR Stree Lights



Page 14

### LED SOLAR Stree Lights



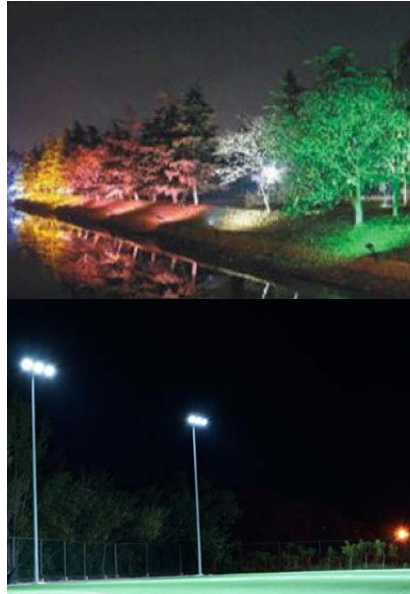
Page 15

### LED Garden & Park Lights



Page 16

Product Pictures:



Features:

- OSRAM LED chip
- SOSEN or MEANWELL driver
- Powder coated die-cast aluminum body
- Anti-oxidation pure aluminum reflector
- Tempered glass cover
- Compact and lightweight fixture
- 50,000hrs average LED lifespan
- 3-5 years warranty

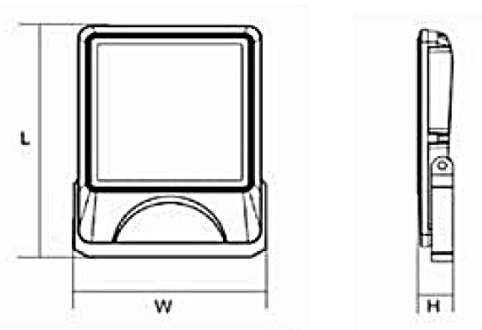
Applications:

Perimeter lighting, facade lighting, parking area, bill-board lighting, garden, railways, warehouses, air ports, sea ports, sports fields, bridges, construction sites, play ground etc.

Technical Specifications:

List price: (SOSEN) (MEANWELL)				
Model:	BIS-FL-50W-XTGD	BIS-FL-100W-XTGD	BIS-FL-150W-XTGD	BIS-FL-200W-XTGD
Input Voltage:	AC100-277V / 50~60Hz			
LED Power:	50 Watts	100 Watts	150 Watts	200 Watts
Luminous Efficacy:	110-120Lm/W			
Luminous Flux:	5500-6000Lm	11000-12000Lm	16500-18000Lm	22000-24000Lm
CCT:	2700K-6500K			
CRI:	Ra>80			
Beam Angle:	120°			
IP Rating:	IP66			
Dimension (mm):	L=275 * W=225 * H=50	L=325 * W=275 * H=54	L=385 * W=305 * H=58	L=435 * W=335 * H=65
Weight:	2.5kg	4.2kg	5.1kg	7.2kg

Dimension Drawing:



Certificates:



Components:

LED Chips:



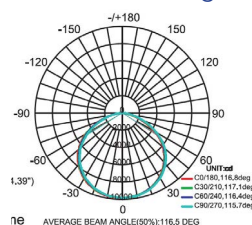
Driver:



Fixture Color:



Photometric Diagram:



Product Pictures:



Features:

- LUMILED SMD3030 LED chip (PHILIPS)
- MEANWELL LED driver (UL Listed)
- IP65/IP66/IK08 protection grade
- Zipped-fins aluminum heatsink for efficient cooling
- 4mm tempered glass cover
- Glareless aluminum reflector
- 50,000hrs average LED lifespan

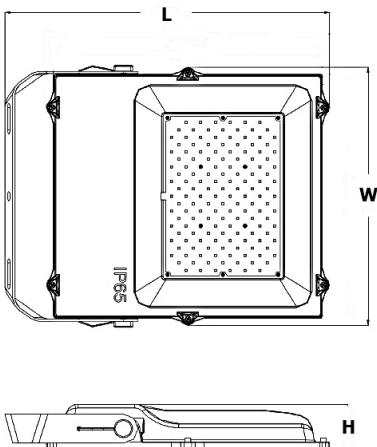
Applications:

Perimeter lighting, facade lighting, parking area, billboard lighting, garden, railways, warehouses, air ports, sea ports, sports fields, basketball and tennis courts, bridges, construction sites, exhibition center etc.

Technical Specifications:

List Price:						
Model:	BSW-FL-50W-FL600D	BSW-FL-80W-FL600D	BSW-FL-100W-FL600D	BSW-FL-150W-FL600D	BSW-FL-200W-FL600D	BSW-FL-300W-FL600D
Input Voltage:	AC100-277V / 50~60Hz			AC100-277V / 50~60Hz		
LED Power:	50 Watts	80 Watts	100 Watts	150 Watts	200 Watts	300 Watts
Luminous Efficacy:	130-140lm/W			130-140lm/W		
Luminous Flux:	6500-7000lm	10400-11200lm	13000-14000lm	19500-21000lm	26000-28000lm	39000-42000lm
CCT:	2700K-3000K / 4000K-4500K / 5000K-6500K			2700K-3000K / 4000K-4500K / 5000K-6500K		
CRI:	Ra>70			Ra>70		
Beam Angle:	120°			120°		
IP Rating:	IP65/IP66			IP65/IP66		
Dimension (mm):	L320 * W239 * H53	L365 * W264 * H58	L413 * W315 * H63	L440 * W349 * H63	L480 * W379 * H63	L565 * W457 * H65
Weight:	1.95kg	3.55.8kg	4.4kg	5.6kg	7.0kg	9.6kg

Dimension Drawing:



Certificates:



Components:

LED Chips:



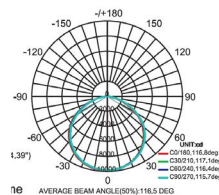
Driver:



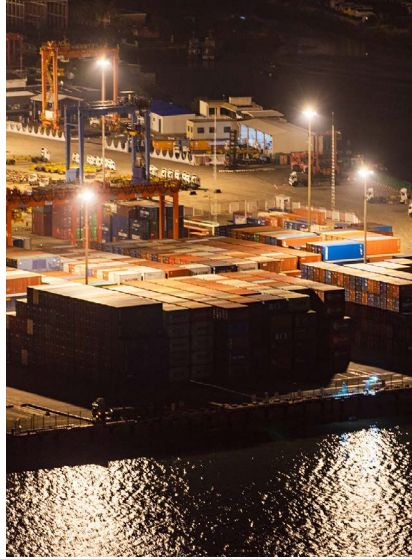
Fixture Color:



Photometric Diagram:



Product Pictures:



Features:

- SEOUL LED chip (Korean Brand)
- SOSEN driver
- Symmetrical or asymmetrical beam angle
- Respirator valve to avoid internal fogging
- Tempered glass cover
- 50,000hrs average LED lifespan

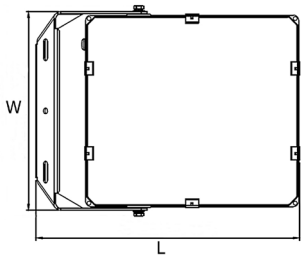
Applications:

- Seaports / Docks
- Airports (esp. if located near the sea)
- Resorts beside the sea
- Buildings / Facilities along the coastline
- Resorts & Sports Facilities with swimming pools
- Contractors / Construction Companies

Technical Specifications:

List Price:					
Model:	BAG-FL-50W-FL23-AC	BAG-FL-100W-FL23-AC	BAG-FL-150W-FL23-AC	BAG-FL-200W-FL23-AC	BAG-FL-300W-FL23-AC
Input Voltage:	AC100-277V / 50~60Hz				
LED Power:	50 Watts	100 Watts	150 Watts	200 Watts	300 Watts
Luminous Efficacy:	120-135Lm/W				
Luminous Flux:	6000-6750Lm	12000-13500Lm	18000-20250Lm	24000-27000Lm	36000-40500Lm
CCT:	3000K/4000K/5000K				
CRI:	Ra>80				
Beam Angle:	15° / 30° / 60° / 120° (Symmetrical) 30°x 60° / 65°x 120° / 55°x 125° (Asymmetrical)				
IP Rating:	IP66				
Dimension (mm):	L=267 * W=228 * H=55	L=314 * W=269 * H=61	L=360 * W=302 * H=67	L=398 * W=343 * H=70	L=470 * W=406 * H=80

Dimension Drawing:



Certificates:



Components:

LED Chips:



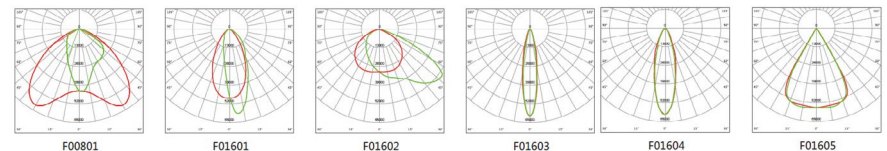
Driver:



Fixture Color:



Photometric Diagram:



Product Pictures:



Features:

- BRIDGELUX LED chip
- MEANWELL driver
- IP68, shock and vibration resistant, tempered glass
- Chemical resistant powder coated fixture
- 50,000hrs average LED lifespan
- 3 years warranty
- Certification: ATEX, UL, CUL, DLC, PSE, SAA&C-TICK, CQC, CE, ROHS, IP68

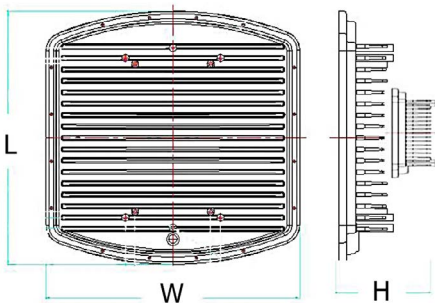
Applications:

- Suitable for gas station, petroleum and chemical industries, coal mine, military, airport, warehouse, marine etc.
- Zone 1 & Zone2 gaseous environment, and Zone21 & Zone22 dust environment.
- Class I Division 2 Group A, B, C, D

Technical Specifications:

List Price: (MW)						
Model:	BCE-EXP-60W-J	BCE-EXP-80W-J	BCE-EXP-100W-J	BCE-EXP-120W-J	BCE-EXP-150W-J	BCE-EXP-185W-J
Input Voltage:	AC100-277V / 50-60Hz					
LED Power:	60 Watts	80 Watts	100 Watts	120 Watts	150 Watts	185 Watts
Luminous Efficacy:	110-120lm/W					
Luminous Flux:	6600-7200lm	8800-9600lm	11000-12000lm	13200-14400lm	16500-18000lm	20350-22200lm
CCT:	2700K/3000K/4000K/5000K/6000K					
CRI:	Ra>80					
Beam Angle:	30° / 60° / 120° (Optional)					
IP Rating:	IP68					
Dimension (mm):	L=300mm * W=300mm * H=175mm			L=400mm * W=400mm * H=185mm		
Weight:	8.5kg	8.5kg	8.5kg	12.5kg	12.5kg	12.5kg

Dimension Drawing:



Certificates:



Components:

LED Chips:



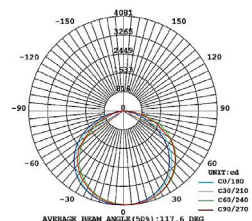
Driver:



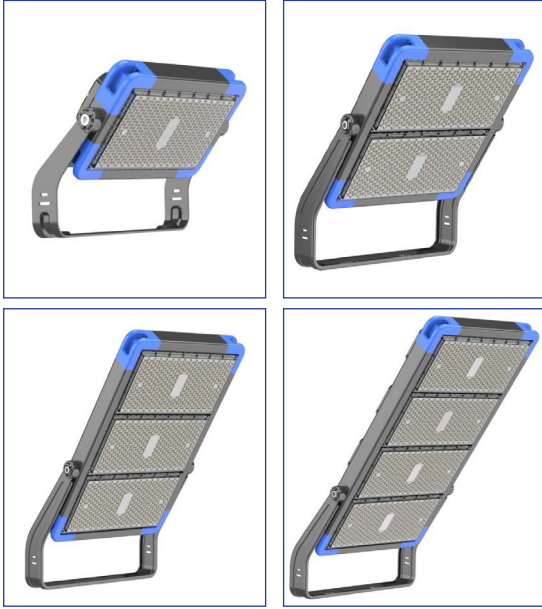
Fixture Color:



Photometric Diagram:



Product Pictures:



Features:

- LUMILEDS LED chip
- SOSEN or MEANWELL driver
- Modular and driver per module design
- More than 94% transmittance PC lens
- Angle aiming indicator
- Cold forging high thermal conductivity aluminum heatsink
- 50,000hrs average LED lifespan
- 3-5 years warranty

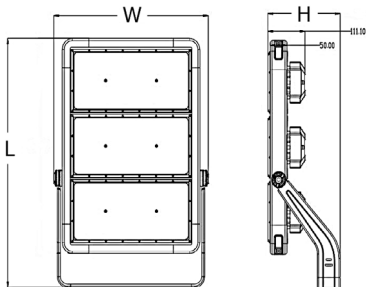
Applications:

Designed suitable for vertical lighting requirements such as stadium lighting, sea ports, container yards, air port apron lighting, sports field lighting, football fields, golf course lighting, large area lighting etc

Technical Specifications:

List Price: (SOSEN)				
Model:	BIS-HM-250W-SKYIII	BIS-HM-500W-SKYIII	BIS-HM-750W-SKYIII	BIS-HM-1000W-SKYIII
Input Voltage:	AC100-277V / 50~60Hz (Note: with 10KV SPD)			
LED Power:	250 Watts	500 Watts	750 Watts	1000 Watts
Luminous Efficacy:	130-140lm/W			
Luminous Flux:	32500-35000Lm	65000-70000Lm	97500-105000Lm	130000-140000Lm
CCT:	3000K / 4000K / 5000K			
CRI:	Ra>80			
Beam Angle:	25° / 45° / 60° / 90° (Optional)			
IP Rating:	IP66			
Dimension: (mm)	L=340 * H=110 W=190	L=536 * H=502 W=256	L=716 * H=502 W=256	L=894 * H=502 W=256
Weight:	8.1kg	15.2kg	20kg	26kg

Dimension Drawing:



Certificates:



Components:

LED Chips:



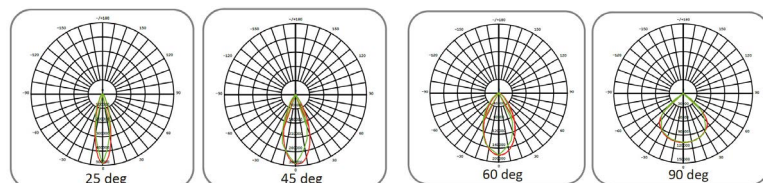
Driver:



Fixture Color:



Photometric Diagram:



Product Pictures:



Features:

- LUMILEDS LED chip
- SOSEN or MEANWELL driver
- Modular and driver per module design
- More than 94% transmittance PC lens
- Angle aiming indicator
- Cold forging high thermal conductivity aluminum heatsink
- 50,000hrs average LED lifespan
- 3-5 years warranty

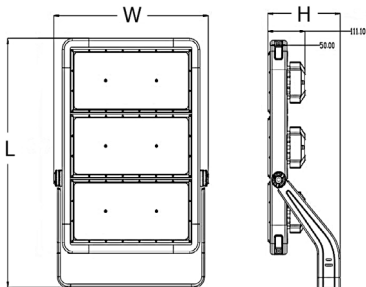
Applications:

Designed suitable for vertical lighting requirements such as stadium lighting, sea ports, container yards, air port apron lighting, sports field lighting, football fields, golf course lighting, large area lighting etc

Technical Specifications:

List Price: (SOSEN)				
Model:	BIS-HM-400W-SKYVII	BIS-HM-800W-SKYVII	BIS-HM-1000W-SKYVII	BIS-HM-1500W-SKYVII
Input Voltage:	AC100-277V / 50~60Hz (Note: with 10KV SPD)			
LED Power:	400 Watts	800 Watts	1000 Watts	1500 Watts
Luminous Efficacy:	150-170lm/W			
Luminous Flux:	60000-68000Lm	120000-136000Lm	150000-170000Lm	225000-255000Lm
CCT:	3000K / 4000K / 5000K			
CRI:	Ra>80			
Beam Angle:	25° / 45° / 60° / 90° (Optional)			
IP Rating:	IP66			
Dimension: (mm)	L=718mm * H=222mm W=214	L=732mm * H=290mm W=439mm	L=732mm * H=290mm W=439mm	L=732mm * H=290mm W=666mm
Weight:	16kg	29kg	29kg	41kg

Dimension Drawing:



Certificates:



Components:

LED Chips:



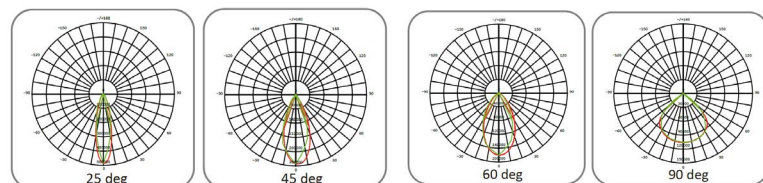
Driver:



Fixture Color:



Photometric Diagram:





Product Pictures:



Features:

- LUMILEDS LED chip
- SOSEN or MEANWELL driver
- Half circle module design
- Excellent thermal management
- Visor to reduce light pollution (optional)
- Cold forging high thermal conductivity aluminum heatsink
- 50,000hrs average LED lifespan
- 3-5 years warranty

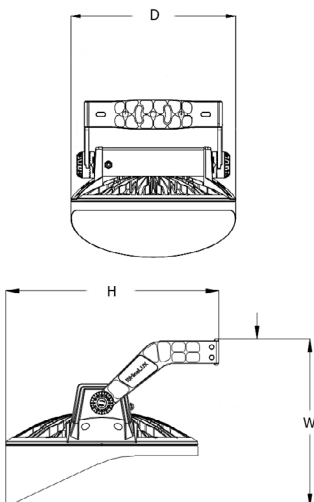
Applications:

Suitable for vertical lighting requirements such as stadium lighting, sea ports, wharf, container yards, air port apron lighting, sports field lighting, football fields, golf course lighting, large area lighting etc

Technical Specifications:

List Price: (SOSEN)				
Model:	BIS-HM-400W-SKYVII	BIS-HM-800W-SKYVII	BIS-HM-1000W-SKYVII	BIS-HM-1500W-SKYVII
Input Voltage:	AC100-277V / 50~60Hz (Note: with 10KV SPD)			
LED Power:	400 Watts	500 Watts	800 Watts	1000 Watts
Luminous Efficacy:	140-150lm/W			
Luminous Flux:	56000-60000lm	70000-75000lm	112000-120000lm	140000-150000lm
CCT:	3000K / 4000K / 5000K			
CRI:	Ra>80			
Beam Angle:	25° / 45° / 60° / 90° (Optional)			
IP Rating:	IP66			
Dimension: (mm)	D=440mm * W= * H=422mm	D=440mm * W= * H=422mm	D=586mm * W=512mm * H=652mm	D=586mm * W=512mm * H=652mm
Weight:	15kg	15kg	27.5kg	27.5kg

Dimension Drawing:



Certificates:



Components:

LED Chips:



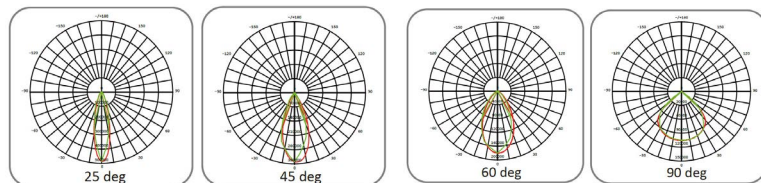
Driver:



Fixture Color:



Photometric Diagram:



Product Pictures:



Features:

- LUMILEDS SMD3030 LED chip (PHILIPS)
- MEANWELL LED driver (UL Listed)
- Powder coated die-cast aluminum body
- IP65/IK10 slim and lightweight fixture
- Optional 3PIN nema base photocell sensor
- 50,000 hours led chip average lifespan
- 3 years warranty

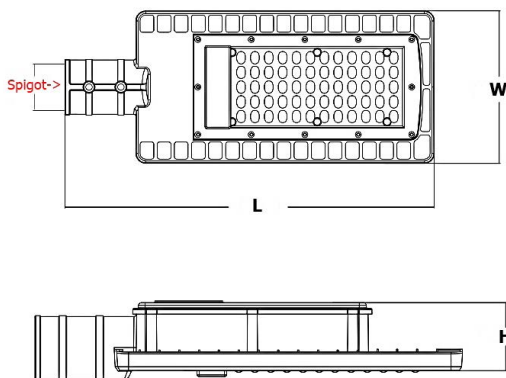
Applications:

Suitable for rural and village roads, district roads, pedestrian ways, cycle tracks, motorways, inside eco zone and industrial park roadways, perimeter lighting, parking spaces etc.

Technical Specifications:

List Price: MEANWELL Driver						
Model:	BWS-SL-35W-SL305	BWS-SL-50W-SL305	BWS-SL-80W-SL305	BWS-SL-100W-SL305	BWS-SL-150W-SL305	BWS-SL-200W-SL305
Input Voltage:	AC100-277V / 50~60Hz			AC100-277V / 50~60Hz		
LED Power:	35 Watts	50 Watts	80 Watts	100 Watts	150 Watts	200 Watts
Luminous Efficacy:	130-140Lm/W			130-140Lm/W		
Luminous Flux:	4550-4900Lm	6500-7000Lm	10400-11200Lm	13000-14000Lm	19500-21000Lm	26000-28000Lm
CCT:	2700K-3000K / 4000K-4500K / 5000K-6500K			2700K-3000K / 4000K-4500K / 5000K-6500K		
CRI:	Ra>70			Ra>70		
Beam Angle:	70° x 150° (Type III)			70° x 150° (Type III)		
IP/IK Rating:	IP65/IK10			IP65/IK10		
Dimension (mm):	L405 * W167 * H64	L405 * W167 * H64	L484 * W211 * H68	L484 * W211 * H68	L580 * W242 * H68	L685 * W300 * H94
Weight:	1.4kg	1.4kg	3.0kg	3.0kg	4.5kg	5.9kg
Spigot / Mounting Adaptor Diameter:	50mm	50mm	60mm	60mm	60mm	60mm

Dimension Drawing:



Certificates:



Components:

LED Chips:



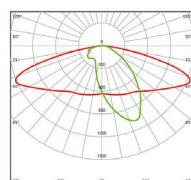
Driver:



Fixture Color:



Photometric Diagram:



Product Pictures:



Features:

- LUMILEDS SMD3030 LED chip (PHILIPS)
- MEANWELL LED driver (UL Listed)
- Powder coated die-cast aluminum body
- IP65/IK10 slim and lightweight fixture
- Optional 3PIN nema base photocell sensor
- 50,000 hours led chip average lifespan
- 3 years warranty

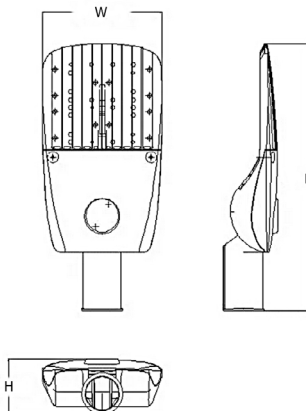
Applications:

Suitable for rural and village roads, district roads, pedestrian ways, cycle tracks, motorways, inside eco zone and industrial park roadways, perimeter lighting, parking spaces etc.

Technical Specifications:

List Price: MEANWELL Driver			
Model:	BWS-SL-50W-SL307B	BWS-SL-100W-SL307B	BWS-SL-150W-SL30B
Input Voltage:	AC100-277V / 50~60Hz		
LED Power:	50 Watts	100 Watts	150 Watts
Luminous Efficacy:	160-170Lm/W		
Luminous Flux:	8000-8500Lm	16000-17000Lm	24000-25500Lm
CCT:	2700K-3000K / 4000K-4500K / 5000K-6500K		
CRI:	Ra>70		
Beam Angle:	70° x 150° (Type III)		
IP/IK Rating:	IP65/IK10		
Dimension (mm):	L408 * W230 * H106	L509 * W230 * H106	L601 * W257 * H109
Weight:	3.5kg	3.5kg	4.5kg
Spigot / Mounting Adaptor Diameter:	60mm	60mm	60mm

Dimension Drawing:



Certificates:



Components:

LED Chips:



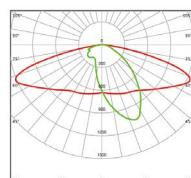
Driver:



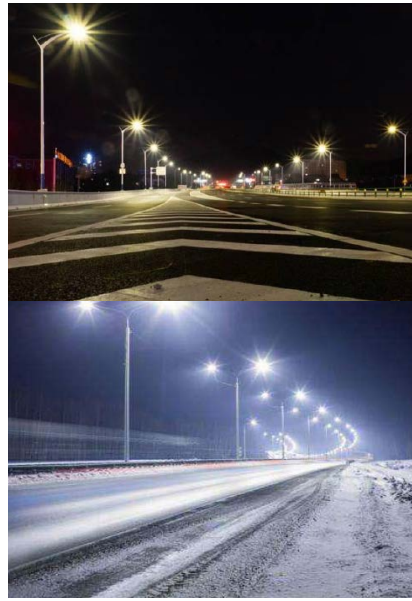
Fixture Color:



Photometric Diagram:



Product Pictures:



Features:

- LUMILEDS SMD3030 LED chip (PHILIPS)
- MEANWELL driver (UL Listed)
- PC lens plus tempered glass cover design
- Powder coated die-cast aluminum housing
- IP66, IK10 protection grade
- Optional 3PIN nema base photocell sensor
- 50,000hrs average LED lifespan
- 3-5 years warranty

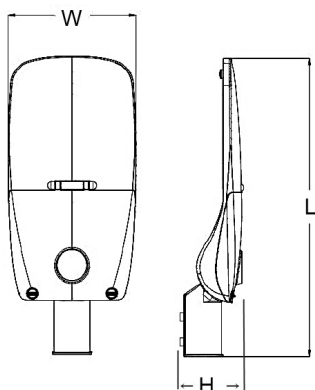
Applications:

Suitable for national highways, rural and village roads, district roads, pedestrian ways, cycle tracks, motorways, inside eco zone and industrial park roadways, perimeter lighting, parking spaces etc.

Technical Specifications:

List Price:						
Model:	BSW-SL-50W-SL307	BSW-SL-80W-SL307	BSW-SL-100W-SL307	BSW-SL-120W-SL307	BSW-SL-150W-SL307	BSW-SL-200W-SL307
Input Voltage:	AC100-277V / 50~60Hz			AC100-277V / 50~60Hz		
LED Power:	50 Watts	80 Watts	100 Watts	120 Watts	150 Watts	200 Watts
Luminous Efficacy:	140-150lm/W			140-150lm/W		
Luminous Flux:	7000-7500lm	11200-12000lm	14000-15000lm	16800-18000lm	21000-22500lm	28000-30000lm
CCT:	2700K-3000K / 4000K-4500K / 5000K-6500K			2700K-3000K / 4000K-4500K / 5000K-6500K		
CRI:	Ra>70			Ra>70		
Beam Angle:	70° x 150° (Type II) / 80° x 150° (Type III)			70° x 150° (Type II) / 80° x 150° (Type III)		
IP/IK Rating:	IP66/IK10			IP66/IK10		
Dimension (mm):	L483 * W230 * H119	L548 * W230 * H131	L548 * W230 * H131	L598 * W257 * H131	L598 * W257 * H131	L655 * W257 * H131
Weight:	4.0kg	5.0kg	5.2kg	6.9kg	7.0kg	8.9kg
Spigot / Mounting Adaptor Diameter:	Ø60mm	Ø60mm	Ø60mm	Ø60mm	Ø60mm	Ø60mm

Dimension Drawing:



Certificates:



Components:

LED Chips:



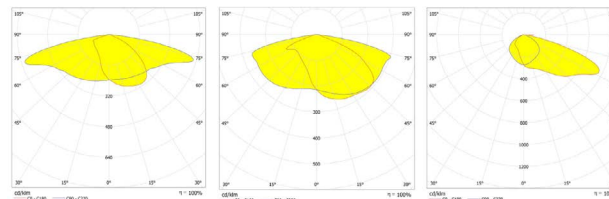
Driver:



Fixture Color:



Photometric Diagram:



Product Pictures:



Features:

- LUMILEDS SMD3030 LED chip (PHILIPS)
- MEANWELL driver (UL Listed)
- Modular fixture design
- Anti-UV oxidized sand blasted aluminum housing
- IP67, IK10 protection grade
- Optional 3PIN nema base photocell sensor
- 50,000hrs average LED lifespan
- 3-5 years warranty

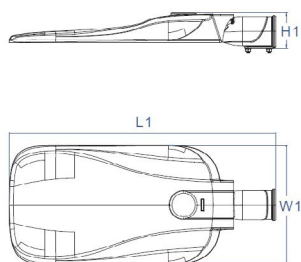
Applications:

Suitable for national highways, rural and village roads, district roads, pedestrian ways, cycle tracks, motorways, inside eco zone and industrial park roadways, perimeter lighting, parking spaces etc.

Technical Specifications:

List Price:						
Model:	BDM-SL-100W-G9	BDM-SL-120W-G9	BDM-SL-150W-G9	BDM-SL-180W-G9	BDM-SL-200W-G9	BDM-SL-240W-G9
Input Voltage:	AC100-277V / 50~60Hz			AC100-277V / 50~60Hz		
LED Power:	100 Watts	120 Watts	150 Watts	180 Watts	200 Watts	240 Watts
Luminous Efficacy:	140-150Lm/W			140-150Lm/W		
Luminous Flux:	14000-15000Lm	16800-18000Lm	25200-27000Lm	16500-27000Lm	28000-30000Lm	33600-36000Lm
CCT:	2700K-3000K / 4000K-4500K / 5000K-6500K			2700K-3000K / 4000K-4500K / 5000K-6500K		
CRI:	Ra>70			Ra>70		
Beam Angle:	85° x 160° / 95° x 160° (Type II)			85° x 160° / 95° x 160° (Type II)		
IP/IK Rating:	IP66/IK10			IP66/IK10		
Dimension (mm):	L530 * W302 * H92	L695 * W310 * H92	L695 * W310 * H92	L695 * W310 * H92	L865 * W350 * H92	L865 * W350 * H92
Weight:	4.0kg	5.6kg	5.85kg	5.85kg	7.6kg	7.8kg
Spigot / Mounting Adaptor Diameter:	Ø60mm	Ø60mm	Ø60mm	Ø60mm	Ø60mm	Ø60mm

Dimension Drawing:



Certificates:



Components:

LED Chips:



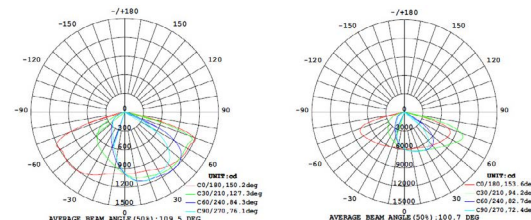
Driver:



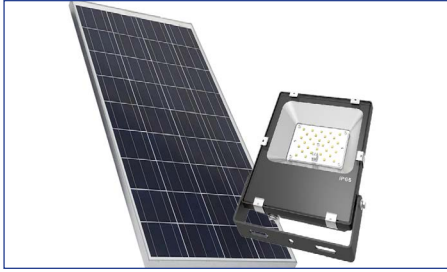
Fixture Color:



Photometric Diagram:



Product Pictures:



Features:

- LUMILEDS or BRIDGELUX LED chip
- Monocrystalline SOLAR cell
- LiFePO4 battery
- PWM/MPPT controller with over charge and over discharge protection
- Aluminum alloy housing
- 3 years warranty

Applications:

Perimeter lighting, parking area, garden, parks, outdoor playground etc.

Technical Specifications:

List Price:					
Model:	BGH-SFL-50W-FLD	BGH-SFL-80W-FLD	BGH-SFL-100W-FLD	BGH-SFL-150W-FLD	BGH-SFL-200W-FLD
Mono SOLAR Panel:	DC18V / 50W	DC18V / 90W	DC18V / 120W	DC18V / 170W	DC18V / 280W
Battery:	DC3.2V / 72AH	DC12V / AH	DC12V / AH	DC24V / 36AH	DC24V / 48AH
Charging Time:	6 to 7 hours with enough strong sunshine			6 to 7 hours with enough strong sunshine	
Discharge Time:	up to 12 hours, 100% brightness 2hrs., 80% brightness 2hrs., 60% brightness 4hrs., 40% brightness 4hrs.				
LED Power:	50 Watts	80 Watts	100 Watts	150 Watts	200 Watts
Luminous Efficacy:	140-150lm/W			140-150lm/W	
Luminous Flux:	6000-6400lm	9000-9600lm	12000-12800lm	15000-16000lm	18000-19200lm
CCT:	3000K / 5000K / 6000K			3000K / 5000K / 6000K	
CRI:	Ra>70			Ra>70	
Beam Angle:	120°			120°	
IP Rating:	IP65			IP65	
Lamp Dimension (mm):	L227 * W167 * H40	L311 * W220 * H50	L403 * W295 * H60	L403 * W295 * H60	L431 * W330 * H60
Panel Dimension (mm):	L490 * W670 * H30	L770 * W670 * H35	L1185 * W670 * H35	L1480 * W680 * H40	L1650 * W992 * H40

Dimension Drawing:

Components:

LED Chip:



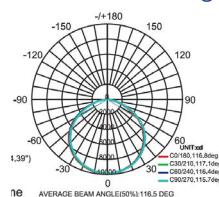
Battery:



MONO SOLAR Cell:



Photometric Diagram:



Fixture Color:



Certificates:



Product Pictures:



Features:

- LUMILEDS or BRIDGELUX LED chip
- Monocrystalline SOLAR cell
- LiFePO4 battery
- MPPT controller with over charge and over discharge protection
- With PIR motion sensor
- Aluminum alloy housing.
- Installation for with or without arm lamp post
- 3 years warranty

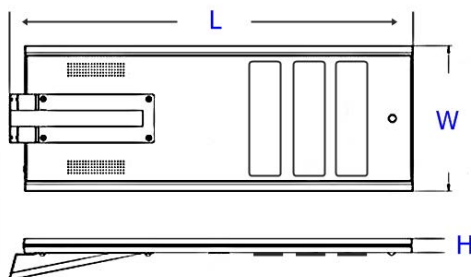
Applications:

Suitable for rural and village roads, district roads, patio or pedestrian ways, cycle tracks, public park, farm and ranch, school campus, perimeter lighting, remote locations where electricity is not available etc.

Technical Specifications:

List Price:						
Model:	Bxx-SSL-40W-LK	Bxx-SSL-60W-LK	Bxx-SSL-80W-LK	Bxx-SSL-100W-LK	Bxx-SSL-120W-LK	Bxx-SSL-150W-LK
Mono SOLAR Panel:	DC18V / 60W	DC18V / 80W	DC18V / 100W	DC18V / 130W	DC18V / 150W	DC18V / 150W
Battery:	DC12V / 30AH	DC12V / 36AH	DC12V / 48AH	DC24V / 32AH	DC24V / 42AH	DC24V / 42AH
Charging Time:	6 to 7 hours with enough strong sunshine			6 to 7 hours with enough strong sunshine		
Discharge Time:	up to 12 hours, 100% brightness on first 4 hours, 50% brightness on the next 8 hours with motion sensor.					
LED Power:	40 Watts	60 Watts	80 Watts	100 Watts	120 Watts	150 Watts
Luminous Efficacy:	150-160lm/W			150-160lm/W		
Luminous Flux:	6000-6400lm	9000-9600lm	12000-12800lm	15000-16000lm	18000-19200lm	22500-24000lm
CCT:	3000K / 5000K / 6000K			3000K / 5000K / 6000K		
CRI:	Ra>70			Ra>70		
Beam Angle:	90° x 140°			90° x 140°		
IP Rating:	IP65			IP65		
Dimension (mm):	L1080 * W359 * H45	L1250 * W359 * H45	L1140 * W528 * H60	L1310 * W528 * H60	L1620 * W528 * H60	L1620 * W528 * H60
Weight:	11.5kg	16.5kg	20.5kg	23.5kg	26kg	26kg
Mounting Height:	4-6 meters	5-7 meters	6-8 meters	7-9 meters	8-10 meters	9-12 meters

Dimension Drawing:



Components:

LED Chip:



Battery:

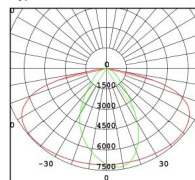


MONO SOLAR Cell:



Photometric Diagram:

Type II:



Fixture Color:



Certificates:



Product Pictures:



Features:

- LUMILEDS LED chip (PHILIPS)
- MEANWELL driver
- Round powder coated aluminum housing
- IP65 protection degree
- Easy installation and maintenance
- 50,000hrs average LED lifespan
- 3-5 years warranty

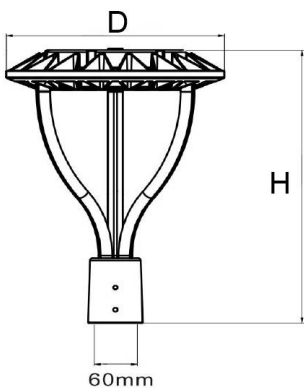
Applications:

Suitable for garden, parks, playground, pathways, courtyard, commercial areas, sidewalks, parking areas, landscape lighting etc.

Technical Specifications:

List Price:					
Model:	BSW-GPL-35W-01 BSW-GPL-35W-02	BSW-GPL-50W-01 BSW-GPL-50W-02	BSW-GPL-75W-01 BSW-GPL-75W-02	BSW-GPL-100W-01 BSW-GPL-100W-02	BSW-GPL-150W-01 BSW-GPL-150W-02
Input Voltage:	AC100-277V / 50~60Hz			AC100-277V / 50~60Hz	
LED Power:	35 Watts	50 Watts	75 Watts	100 Watts	150 Watts
Luminous Efficacy:	140-150Lm/W			140-150Lm/W	
Luminous Flux:	4900-5250Lm	7000-7500Lm	10500-11250Lm	14000-15000Lm	21000-22500Lm
CCT:	2700-3000K / 5000K-5500K / 5700K-6500K			2700-3000K / 5000K-5500K / 5700K-6500K	
CRI:	Ra>70			Ra>70	
Beam Angle:	60° / 90° / 130° (Optional)			60° / 90° / 130° (Optional)	
IP Rating:	IP66			IP66	
Dimension: (mm)	01 = D360mm * H504mm 02 = D370mm * H347mm	01 = D360mm * H504mm 02 = D370mm * H347mm	01 = D360mm * H504mm 02 = D370mm * H347mm	01 = D360mm * H504mm 02 = D370mm * H347mm	01 = D360mm * H504mm 02 = D370mm * H345mm
Weight:	01 = 5.6kg 02 = 4.5kg	01 = 5.6kg 02 = 4.5kg	01 = 5.6kg 02 = 4.5kg	01 = 5.9kg 02 = 4.7kg	01 = 6.5kg 02 = 4.9kg

Dimension Drawing:



Certificates:



Components:

LED Chips:



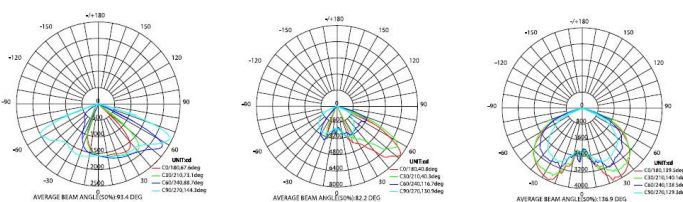
Driver:



Fixture Color:



Photometric Diagram:





- 
- High quality products
  - Excellent customer care
  - Good value for money
- 

We will continue...

To provide energy-efficient, environment-friendly lighting products & renewable energy. Sourced from a select group of suppliers that adheres to international standards of quality.

---

**KASSEL Ventures Phils., Inc.**

Unit 519 5th Floor, Cityland Shaw Tower, Shaw Boulevard  
Mandaluyong City 1552, Philippines  
Tel. Nos.: +632-8633-6610; +632-8470-6669  
Email: sales@brightluxled.com.ph; brightluxledsales@gmail.com  
Website: www.brightlux-led.co